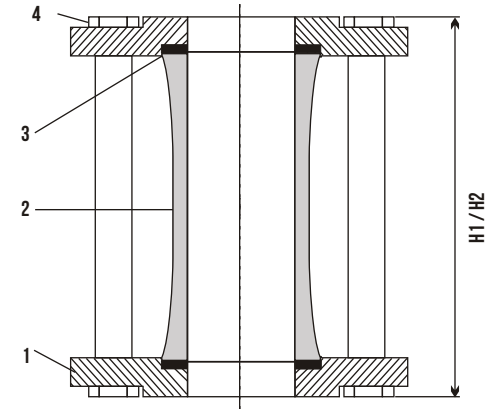




Cylindrical Tube Type Sight Glass / Sight Flow Indicator



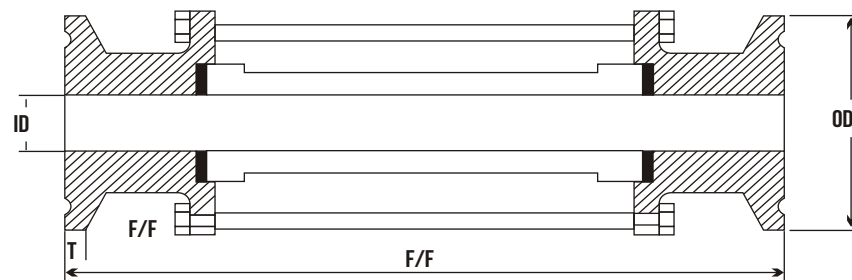
T-Bush Teflon also available on request

Features		Material Specifications		
DESIGN STD	AS PER BS 5351	1	BODY	CF8M, CF8, CF3M, CF3, WCB ETC.
FACE TO FACE	4" & 6"	2	GLASS	TOUGHENED GLASS
TESTING STD	AS PER BS 5146, ISO 5208	3	GASKET	PTFE, GLASS OR CARBON PTFE ETC.
SIZE	15MM TO 100MM	4	STUD & NUT	SS 202 / SS 304 / SS 316

Details of Dimension

Size.	DN 25	DN 40	DN 50	DN 80	DN 100
SIZE DIA	25 MM	40 MM	50 MM	80 MM	100 MM
TOTAL LENGTH H1 &	125 MM	125 MM	125 MM	125 MM	125 MM
H2	175 MM	175 MM	175 MM	175 MM	175 MM
RACE FACE DIA	51 MM	73 MM	92 MM	127 MM	157 MM
PCD	79.5 MM	98.5 MM	120.5 MM	152.5 MM	190.5 MM
OD	108 MM	127 MM	152.5 MM	191 MM	229 MM

Sight Flow Indicator-Full View-Triclove End



Details of Dimension				
Size	Bore ID	F/F	O/D	T
15	12.5	148	34	2.8
20	18	148	34	2.8
25	24	150	50.5	2.8
40	32	150	50.5	2.8
50	42.5	160	64	2.8

Material Specifications		
1	T. C. END	CF8M, CF8, CF3M, CF3 ETC.
2	GLASS	TOUGHENED GLASS
3	GASKET	PTFE, GLASS/CARBON PTFE ETC.
4	STUD & NUT	SS 202 / SS 304 / SS 316.