

Features

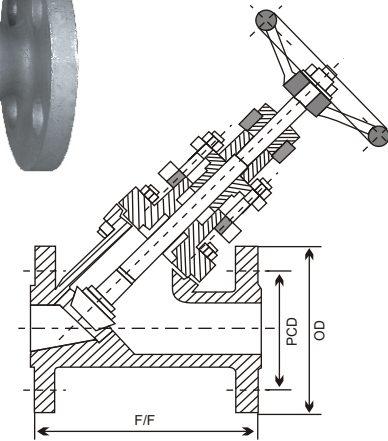
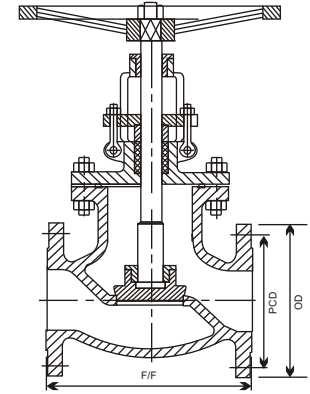
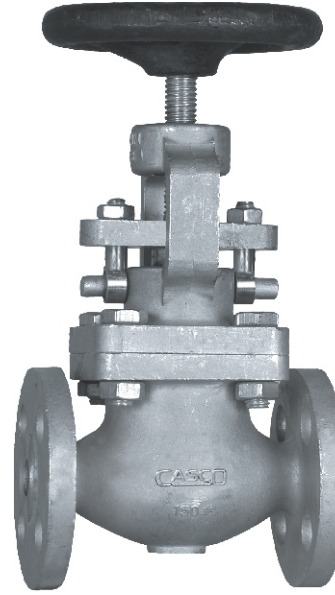
DESIGN STD	AS PER BS 1873
FACE TO FACE	AS PER ASME B 16.10
FLANGE END	AS PER ASME B 16.5
TESTING STD	AS PER ISO 5208

Material Specifications

1	BODY	CF8M, CF8, CF3M, CF3, WCB ETC.
2	BONNET	CF8M, CF8, CF3M, CF3, WCB ETC.
3	DISC	CF8M, CF8, CF3M, CF3 ETC.
4	SPINDLE	SS 316, SS 304 ETC.

Details of Dimension

Class	150 #		
Size	F/F	PCD	OD
15	108	60.5	89
20	117	70	98.5
25	127	79.5	108
40	165	98.5	127
50	203	120.5	152.5
65	216	140	178
80	241	152.5	191
100	292	190.5	229



■ Angle type Globe Valve ■

PTFE Sleeve Plug Valve

Features

DESIGN STD	AS PER BS 5353
FACE TO FACE	AS PER ASME B 16.10
FLANGE END	AS PER ASME B 16.5
TESTING STD	AS PER ISO 5208

Material Specifications

1	BODY	CF8M, CF8, CF3M, CF3, WCB ETC.
2	BONNET	CF8M, CF8, CF3M, CF3, WCB ETC.
3	WEDGE	CF8M, CF8, CF3M, CF3 ETC.
4	STEM	SS 316, SS 304 ETC.

Details of Dimension

Class	150 #		
Size	F/F	PCD	OD
15	108	60.5	89
20	117	70	98.5
25	127	79.5	108
40	165	98.5	127
50	178	120.5	152.5
65	190	140	178
80	203	152.5	191
100	229	190.5	229

