



Safety Relief Valves (Screwed End)



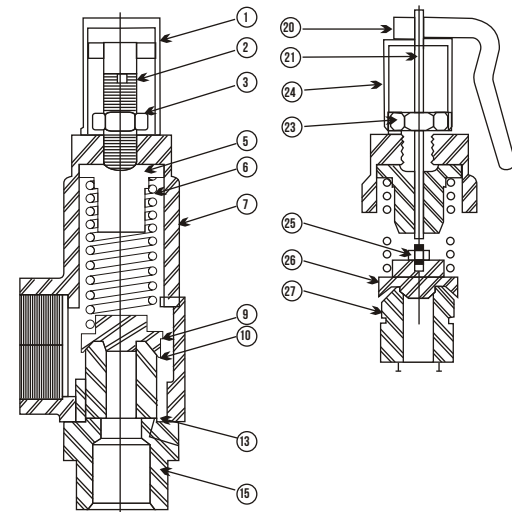
Size: 1/2" to 2"

Pressure & Temperature Ratings

MAXIMUM PRESSURE 20 KG/CM²

MAXIMUM TEMPERATURE 200° C

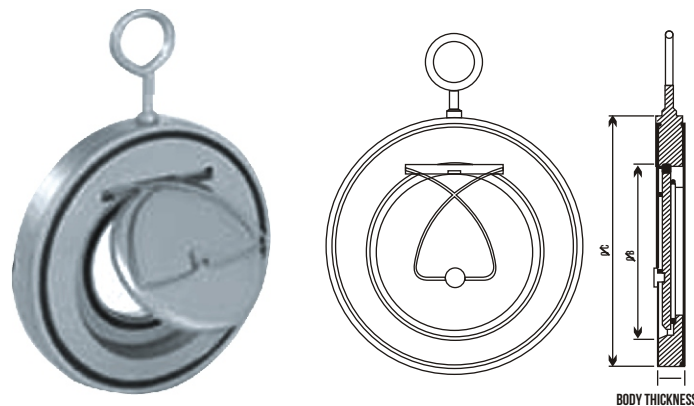
Sr. No.	Description	Material
01/24	CAP	WCB (I.C.)
02/23	ADJUSTMENT SCREW	SS 304
03	LOCKING NUT	SS 304
05	SPRING GUIDE	CF8
06	SPRING	SS 304/M.S.
07	BONNET BODY	WCB (I.C.)
09/26	PLUG DISC	CF8
10/27	HARD SEAT	CF8
15	SEAT FRAME	CF8
20	LEVER	WCB (I.C.)
21	LEFT STEM	SS 304
25	NUT JAM	SS 304



Wafer Check Valve

Features		Material Specifications		
DESIGN STD	AS PER API 594	1	BODY	CF8M, CF8, CF3M, CF3, WCB ETC.
FACE TO FACE	MFG. STANDARD	2	DISC	CF8M, CF8, CF3M, CF3, WCB ETC.
END CONNECTOR	WAFER TYPE, LUG TYPE	3	TRIM	SS 316., SS 304, SS 316L, 304L ETC.
TESTING STD	AS PER BS 5146, ISO 5208	4	SEAT	EPDM, VITON, SS 304, SS 316

Details of Dimension			
Size	Thickness	B	C
40MM	17	22	80
50MM	19	30	95
80MM	19	52	127
100MM	19	70	153
150MM	19	115	215
200MM	29	158	270
300MM	38	230	380



Dual Plated Check Valve

Class 150 #			
Size	ØA	ØD	C
50MM	46	105	60
65MM	60	124	67
80MM	74	134	73
100MM	98	172	73
150MM	148	218	68

Material Specifications		
1	BODY	CF8M, CF8, CF3M, CF3, WCB ETC.
2	SIDE FLAPPER	CF8M, CF8, CF3M, CF3, CA-15 ETC.

